

## FOCUS+1 C/W



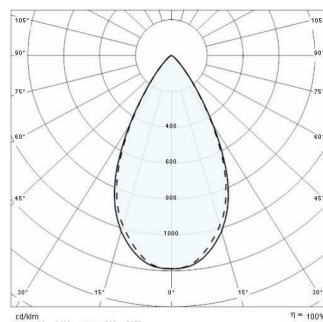
|                                  |                                    |
|----------------------------------|------------------------------------|
| <b>Part number</b>               | 305105                             |
| <b>Lampholder:</b>               | LED                                |
| <b>Light Source:</b>             | LED                                |
| <b>Wattage:</b>                  | 18 W                               |
| <b>Finish:</b>                   | AN-96 / Anthracite gray / Textured |
| <b>Insulation class:</b>         | I                                  |
| <b>Degree of protection:</b>     | IP66                               |
| <b>IK-J-xxIP:</b>                | IK06 1J xx3                        |
| <b>CRI:</b>                      | 70                                 |
| <b>Kelvin:</b>                   | 3000                               |
| <b>Power factor:</b>             | COSφ ≥ 0,9                         |
| <b>EEL:</b>                      | A1                                 |
| <b>Optic:</b>                    | Wide Circle Intensive Reflector    |
| <b>Optic Beam:</b>               | 56°                                |
| <b>Lightsource lumen output:</b> | 1680 lm                            |
| <b>Luminaire lumen output:</b>   | 1180 lm                            |
| <b>L:</b>                        | L70                                |
| <b>B:</b>                        | B10                                |
| <b>Lifetime:</b>                 | 60000 h                            |
| <b>Ta MIN luminaire:</b>         | -25°                               |
| <b>Ta MAX luminaire:</b>         | 35°                                |



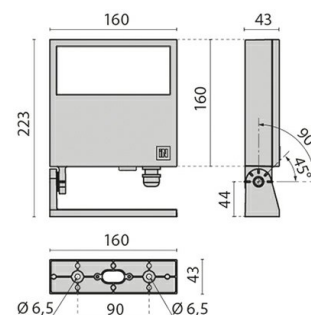
### Description

- LED floodlight for indoor and outdoor lighting, comprising:
- Die-cast painted aluminium housing and trim
  - Adjustable mounting bracket made of die-cast aluminium, painted
  - Extra-clear flat tempered glass diffuser with internal screen printing
  - Circular optic
  - High power LEDs with next generation high intensity light beam
  - Silicone gasket
  - Stainless steel locking screws
  - Waterproof cable gland M16x1.5 for cables Ø 5- Ø 10 mm
  - Technopolymer peg available for anchoring to the ground
  - Photometric data measure according to UNI EN 13032-4 and IES LM-79-08

### Photometric data



### Technical drawings



## OPTIONAL ACCESSORIES

### FOCUS+ 1



700191  
Ground spike